

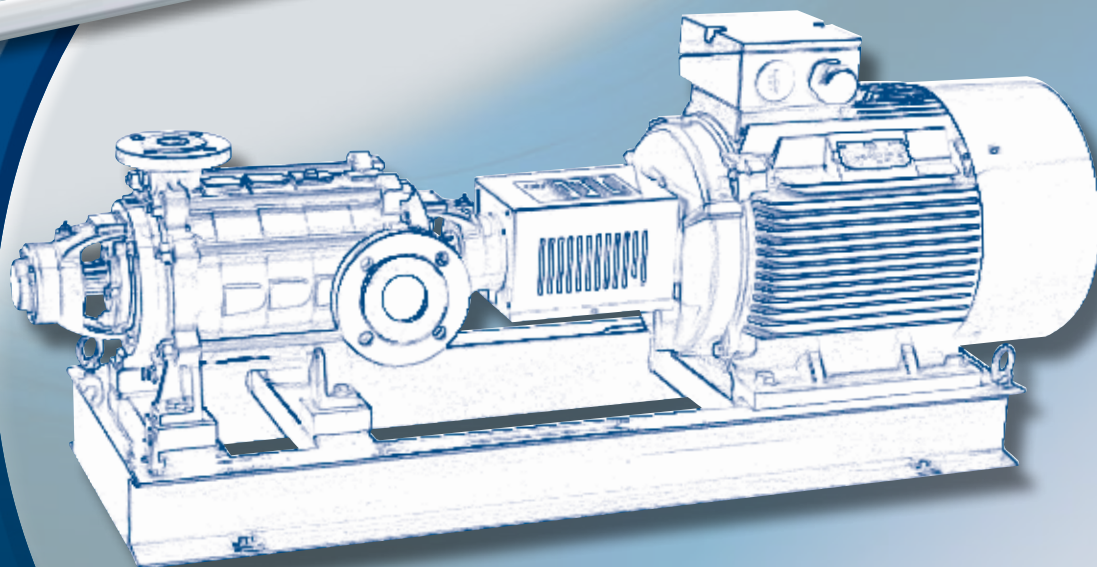


# GARBARINO

PUMPS SINCE 1932

## G/GH

Multistage high pressure pumps





## MULTISTAGE CENTRIFUGAL PUMPS

### APPLICATIONS

G series multistage centrifugal pumps are designed for trouble-free pumping for clear or slightly dirty liquids and used in:

- Heating plants
- Waterworks and water supply plants
- Pressure raising plants
- Water and condensate circulation
- Fire fighting system
- Boiler feeding plants
- High pressure washing
- Reverse osmosis

### CONSTRUCTION

The pumps are multistaged centrifugal with radial split casings. In all versions the supporting feet on pressure side are placed under the discharge body. For sizes up to 3" the base feet, on suction side, are placed under the first stage casing, to allow the rotation of the suction casing in any direction. For bigger sizes the base feet are placed under the suction body, the rotation of which is possible only upon request. The impellers are provided with balancing holes to reduce the axial thrust. The shaft is supported by grease or oil lubricated bearings.

### MAXIMUM OPERATING TEMPERATURE

Standard version: up to 248°F

With cooling chamber: up to 320 °F

NOTE: for temperatures exceeding 320°F please contact our Technical Department.

### MAXIMUM OPERATING PRESSURE

- On suction side: up to 362 PSI
- On discharge side: up to 928 PSI
- NOTE: for higher operating pressures, please contact our Technical Department

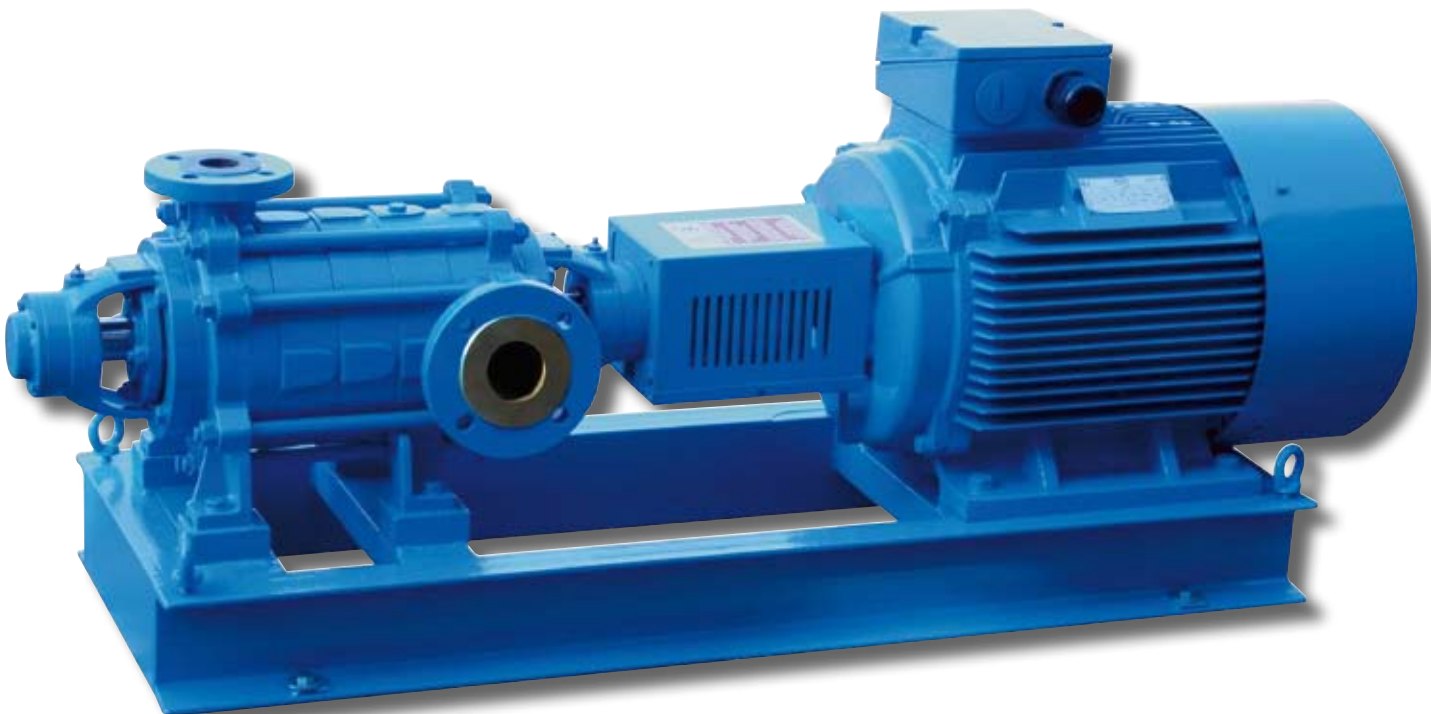
### TECHNICAL FEATURES

- Capacity up to 3150 GPM
- Heads to 1312 feet
- Revolutions up to 3600 RPM
- Pressures to 928 PSI
- Flanges: suction side: ANSI B16.1 CL125, ANSI B16.5 CL150
- discharge side: ANSI B16.1 CL 250, ANSI B16.5 CL 300, ANSI B16.5 CL 400 (option)

### VERTICAL MULTISTAGE CENTRIFUGAL PUMPS

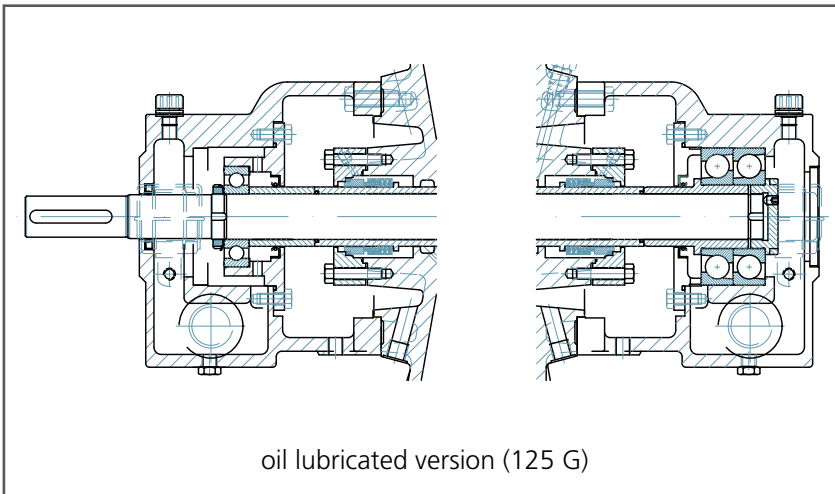
#### "GV" SERIES

Vertical multistage centrifugal pumps "GV" series, standard configuration, with upper ball bearings support and lower bushing support. Besides the usual applications where high pressure is required, the vertical configuration is largely used in the marine field. For sizes not shown in tables please contact our Technical Department.



| MATERIALS   | MAX. WORKING PRESSURE |
|---|-----------------------|
| CAST IRON   | 580 PSI               |
| STAINLESS STEEL, BRONZE, SPECIAL ALLOY  | 925 PSI               |
| <i>NOTE: SPECIAL EXECUTIONS EXCEEDING THE ABOVE LIMITS AVAILABLE ON REQUEST</i> |                       |

| MODELS             | 10 |
|--------------------|----|
| INTERCHANGEABILITY |    |
| CASINGS            | 10 |
| IMPELLERS          | 12 |
| SHAFTS             | 10 |
| BEARING BRACKETS   | 6  |
| MECHANICAL SEALS   | 6  |





# GH

## MULTISTAGE HIGH PRESSURE CENTRIFUGAL PUMPS

Garbarino's multistage pump family has been widely tested over the years in applications with pressures up to 580 PSI. Now, with the newly developed GH pumps, we can achieve pressures to 1100 PSI and capacities to 2200 GPM.

### APPLICATIONS

These pumps are suitable for applications mainly in power and desalination plants, for boiler feeding and reverse osmosis respectively. Moreover they can be used in other fields such as snowmaking equipment, marine and off-shore industries for water mist fire fighting services and others.

### CONSTRUCTION

The GH design is the newest in the industry, we have used an entirely new approach to hydraulics and mechanics for high pressure pumps. The range of GH pumps includes 4 sizes (2, 3, 4 and 6 inch) with 8 different hydraulic systems to insure that every client demand can be met. The pumps are multistage, horizontal pumps radially split with impellers assembled between external bearings.

The main features are:

- feet cast with suction unit and delivery for greater rigidity and strength
- ANSI flanges are standard with all metric options available
- suction flange rotating to three positions
- high efficiency enclosed type impellers with low NPSH suction impeller
- replaceable wear rings
- oil-sealed external bearings with constant level oiler
- drum-type balancing device for axial thrust
- oversized shaft to reduce deflection.

### MAXIMUM OPERATING TEMPERATURE

Standard version: up to 248°F

With cooling chamber: up to 320 °F

NOTE: for temperatures exceeding 320°F please contact our Technical Department.

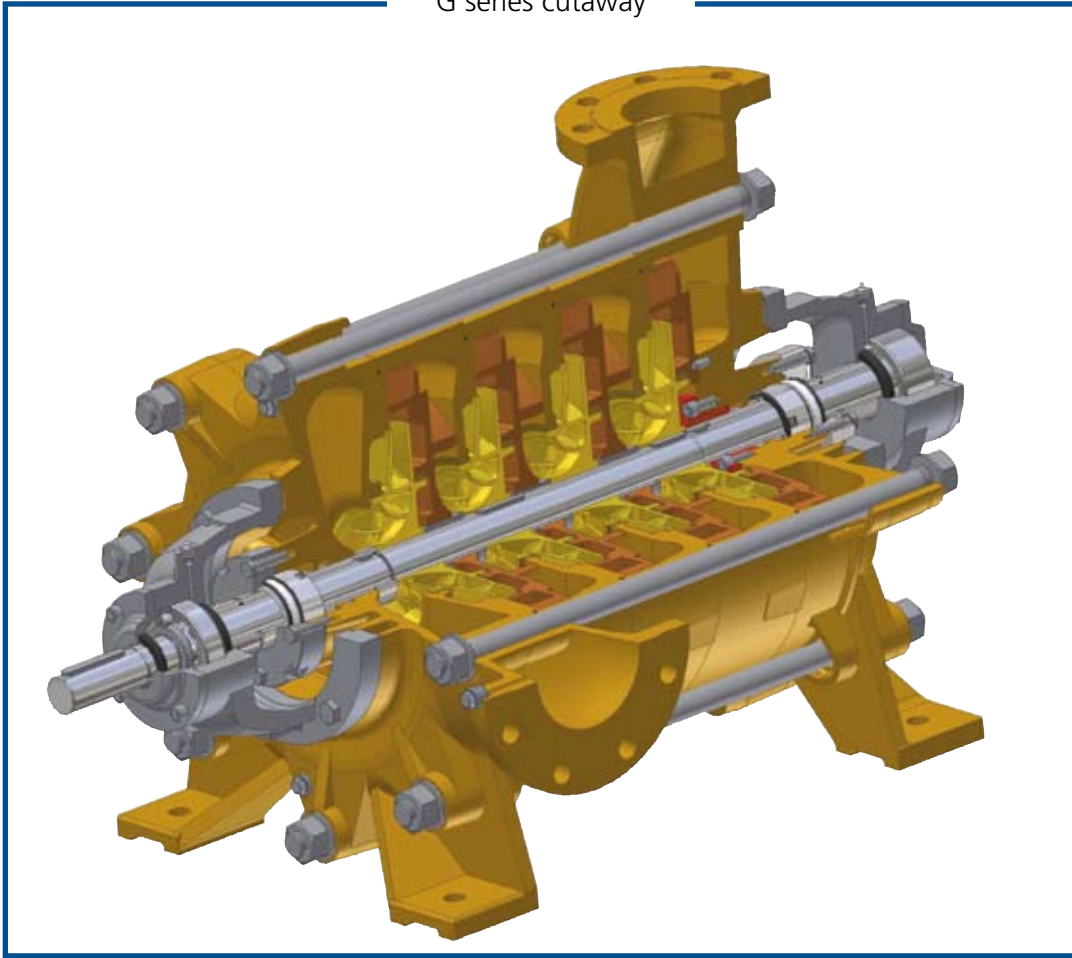
### TECHNICAL FEATURES

- Maximum capacity 2200 GPM
- Maximum head 1100 PSI
- Maximum speed 3600 RPM, lowest critical speed over 5000 RPM
- Single or double mechanical seal (balanced type)
- Optional seal cooling

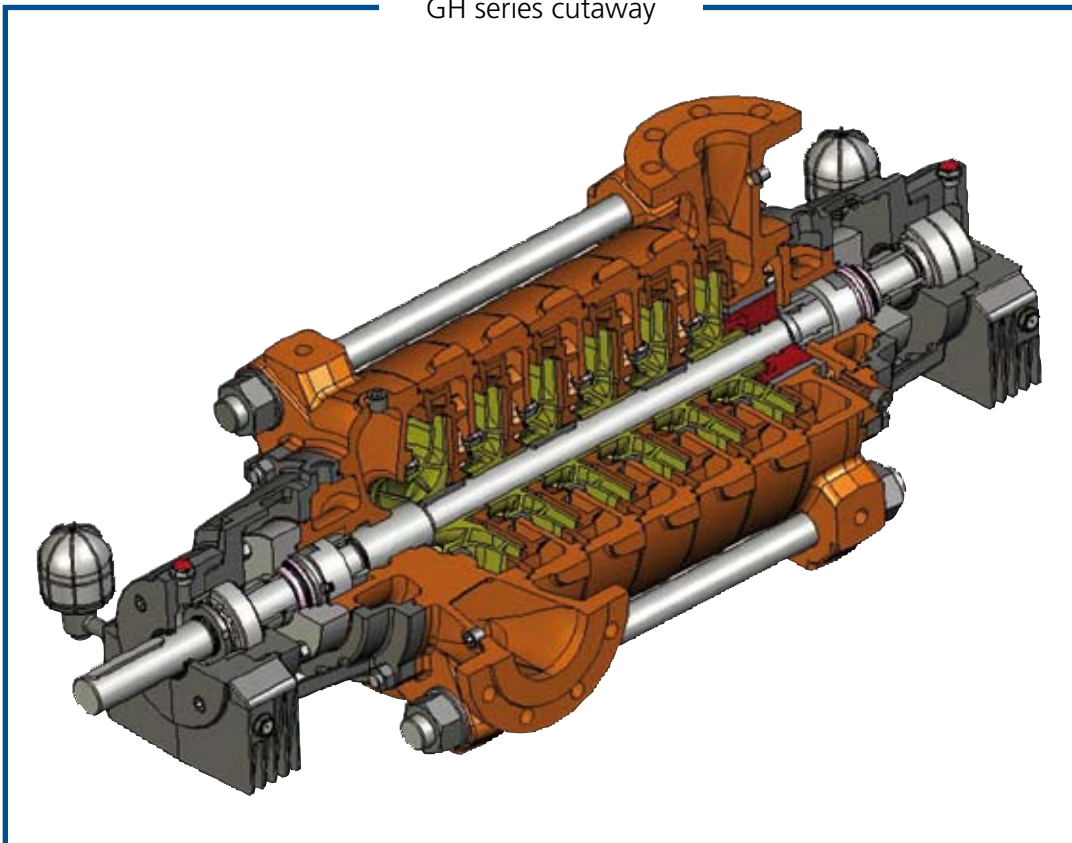
GH pumps can be supplied in a range of materials to offer custom compatibility with pumped liquid, another appealing feature of the pumps. The base version has a nodular cast iron body (GS 600) and G25 cast iron impellers, but special stainless steel pumps are available, such as AISI 316, Duplex, Superduplex, Hastelloy B and C, Monel, Alloy 20 and others.

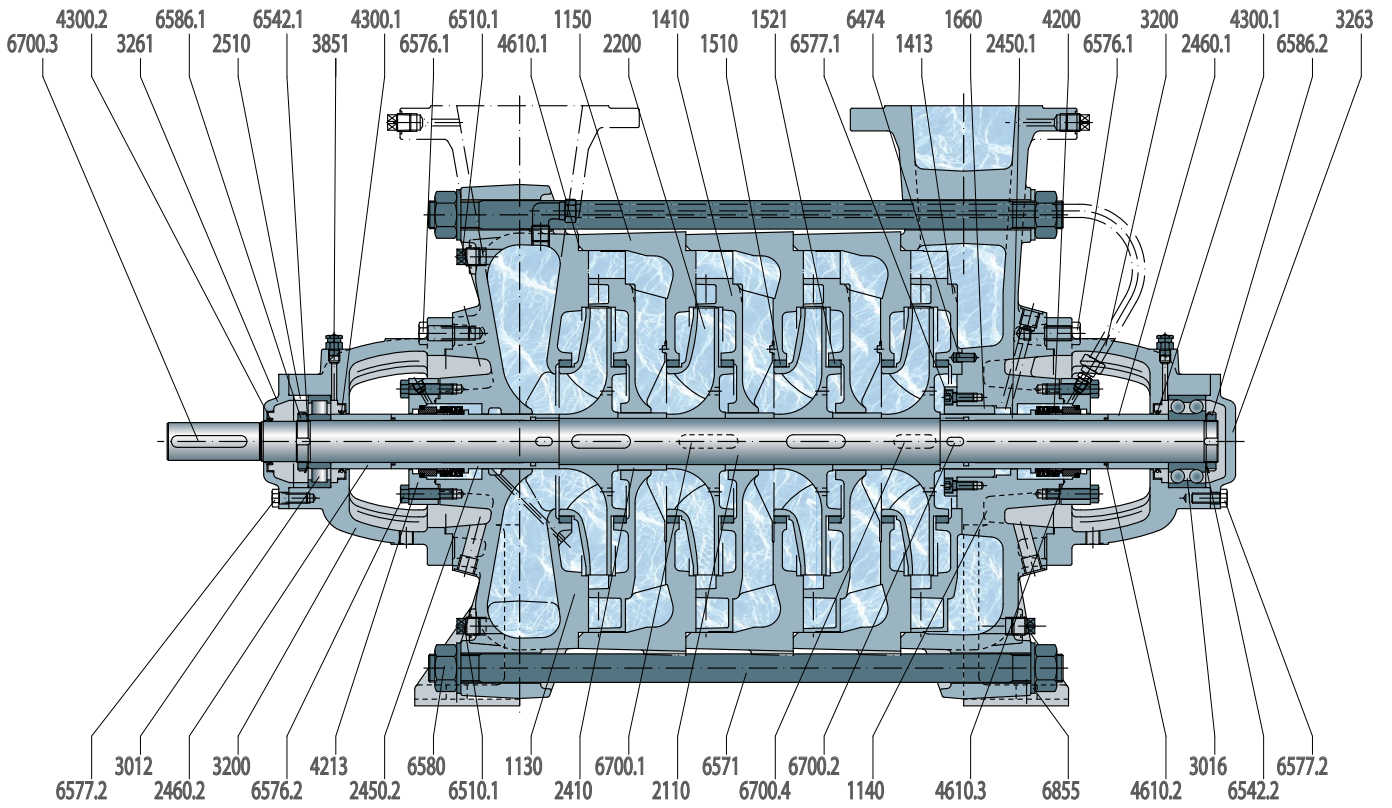


G series cutaway

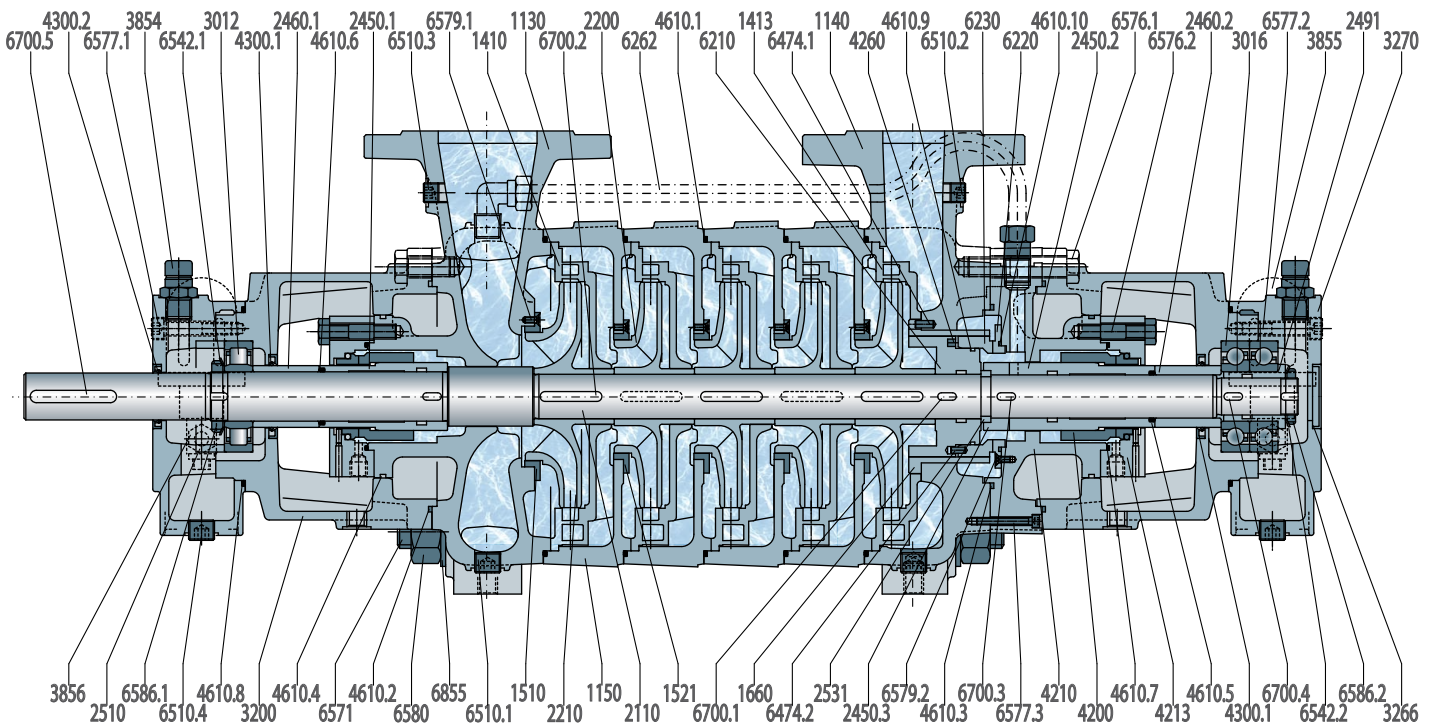


GH series cutaway





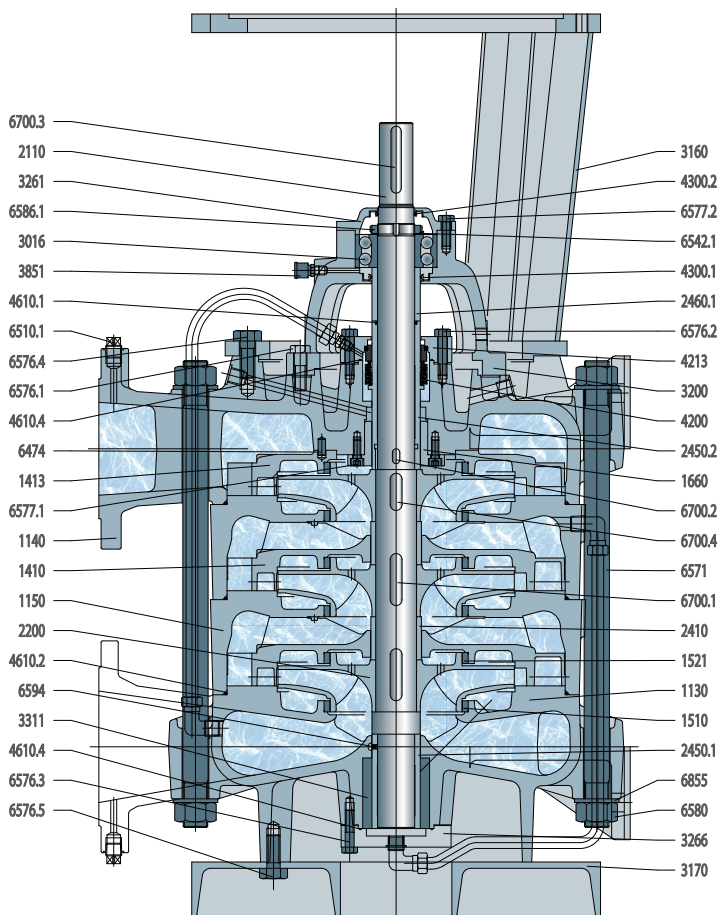
G SERIES GREASE LUBRICATED PARTS CROSS-SECTION



GH SERIES PARTS CROSS-SECTION

| Pos    | Description             |
|--------|-------------------------|
| 1130   | Suction casing          |
| 1140   | Discharge casing        |
| 1150   | Stage casing            |
| 1410   | Diffuser                |
| 1413   | Diffuser, last stage    |
| 1510   | Casing wear ring        |
| 1521   | Wear ring               |
| 1660   | Delivery casing bush    |
| 2110   | Pump shaft              |
| 2200   | Impeller                |
| 2210   | Impeller suction stage  |
| 2410   | Interstage sleeve       |
| 2450.1 | Shaft sleeve            |
| 2450.2 | Shaft sleeve            |
| 2450.3 | Shaft sleeve            |
| 2460.1 | Spacer sleeve           |
| 2460.2 | Spacer sleeve           |
| 2491   | Locating bearing collar |
| 2510   | Spacer ring             |
| 2531   | Retaining ring          |
| 3012   | Roller bearing          |
| 3016   | Ball bearing            |

| Pos     | Description             |
|---------|-------------------------|
| 3160    | Motor stool             |
| 3170    | Pump stool              |
| 3200    | Bearing housing         |
| 3261    | Bearing cover           |
| 3263    | Bearing cover           |
| 3266    | Bearing end cover       |
| 3270    | Oil lubrication cover   |
| 3311    | Bearing bush            |
| 3851    | Grease cup              |
| 3854    | Oil filler plug         |
| 3855    | Constant level oiler    |
| 3856    | Oil level               |
| 4200    | Mechanical seal         |
| 4210    | Seal housing            |
| 4213    | Mechanical seal cover   |
| 4260    | Spring                  |
| 4300.1  | Radial shaft seal       |
| 4300.2  | Radial shaft seal       |
| 4610.1  | O-ring                  |
| 4610.2  | O-ring                  |
| 4610.3  | O-ring                  |
| 4610.4  | O-ring                  |
| 4610.5  | O-ring                  |
| 4610.6  | O-ring                  |
| 4610.7  | O-ring                  |
| 4610.8  | O-ring                  |
| 4610.9  | O-ring                  |
| 4610.10 | O-ring                  |
| 6210    | Balance drum            |
| 6220    | Static ring             |
| 6230    | Rotating ring           |
| 6262    | Balance piping          |
| 6474._  | Cylindrical setting pin |
| 6510.1  | Screw plug              |
| 6510.2  | Screw plug              |
| 6510.3  | Screw plug              |
| 6510.4  | Screw plug              |
| 6542.1  | Lockwasher              |
| 6542.2  | Lockwasher              |
| 6571    | Housing tie bolt        |
| 6576._  | Screw                   |
| 6577._  | Screw                   |
| 6579._  | Screw                   |
| 6580    | Nut                     |
| 6586.1  | Locknut                 |
| 6586.2  | Locknut                 |
| 6594    | Set screw               |
| 6700._  | Key                     |
| 6855    | Plain washer            |

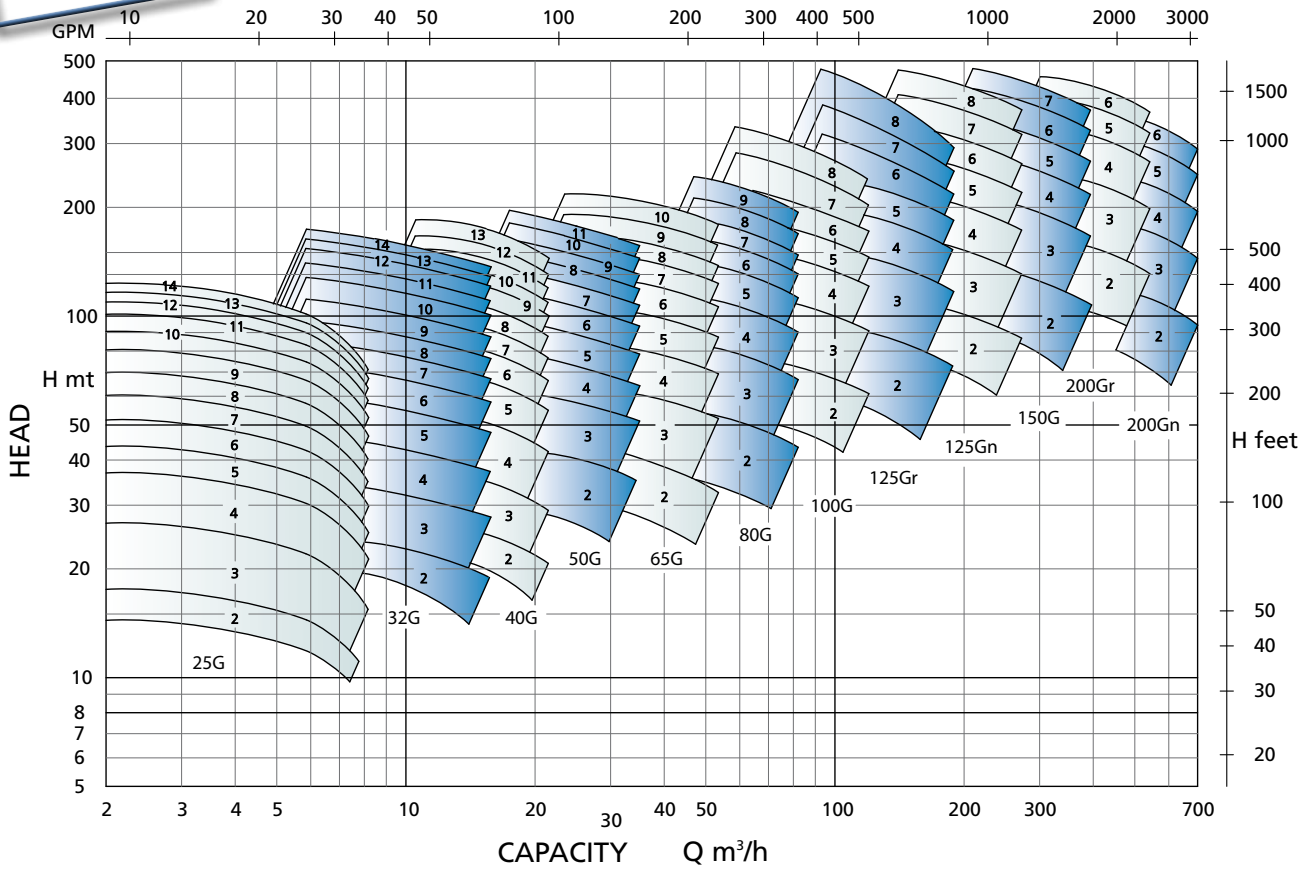


VERTICAL VERSION (GV)



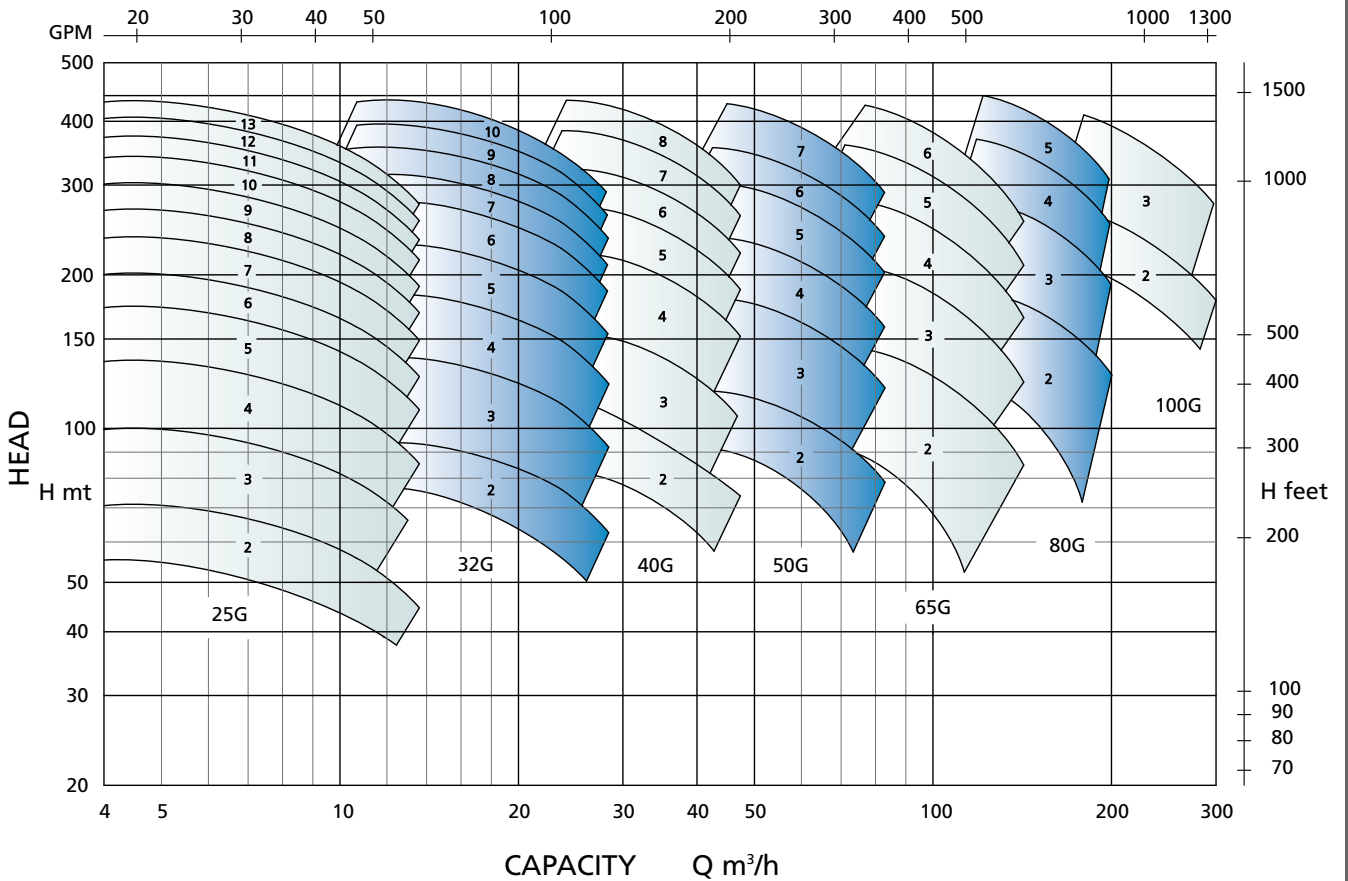
PERFORMANCES (G)

1750 RPM

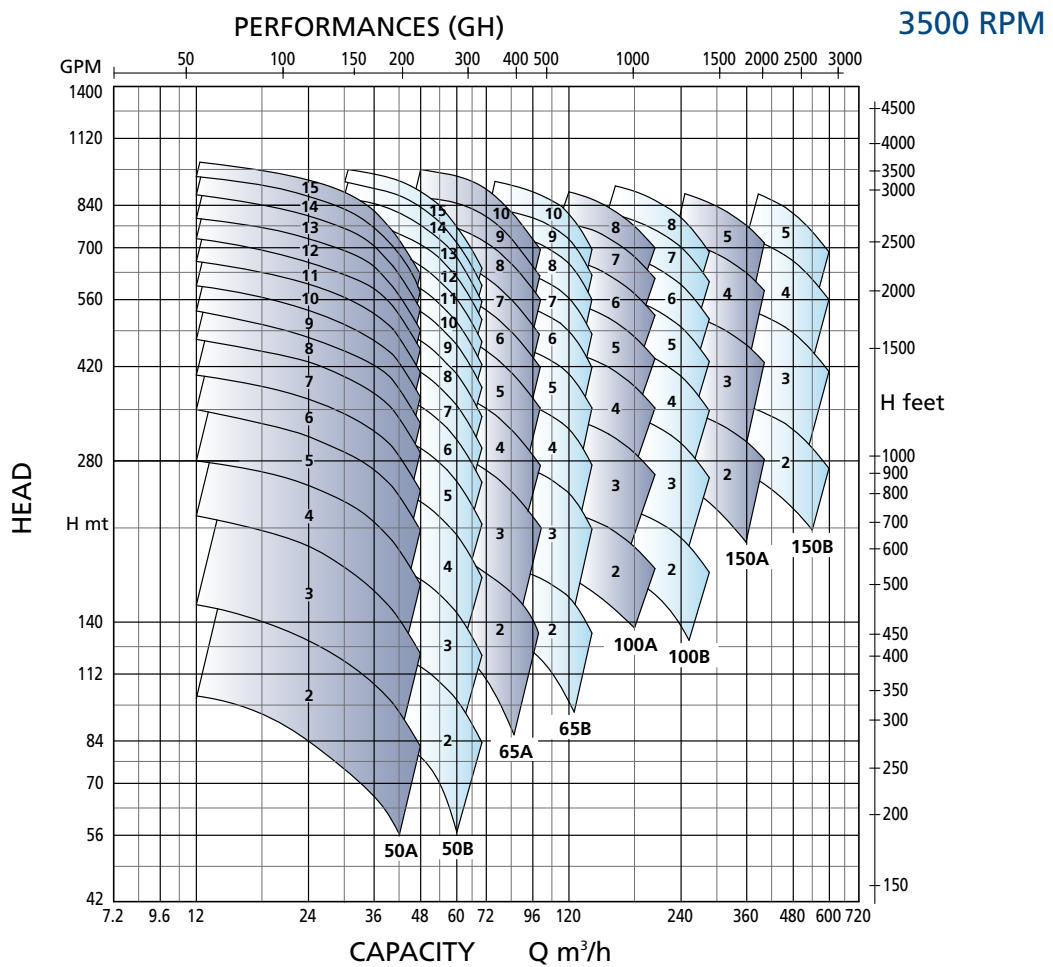
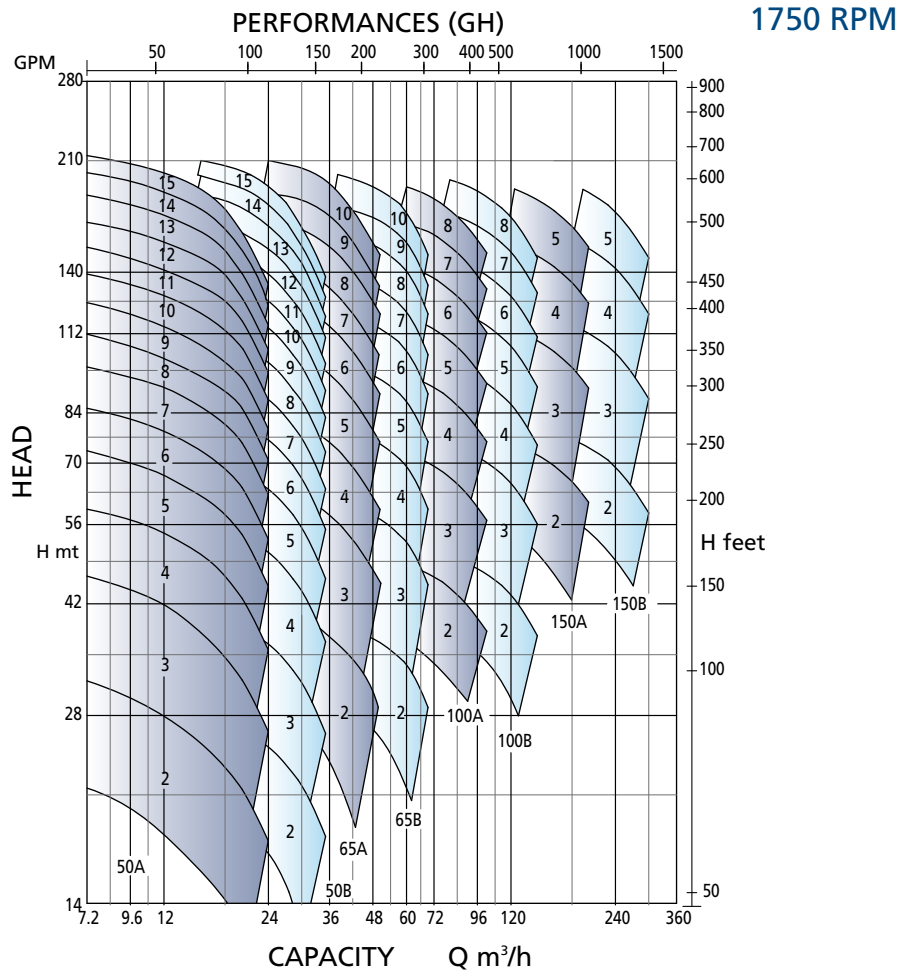


PERFORMANCES (G)

3500 RPM

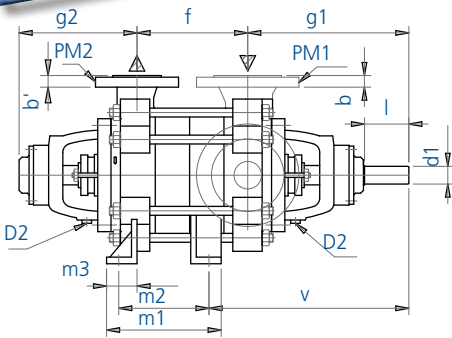




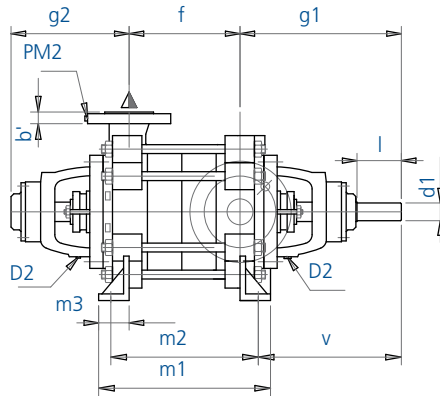




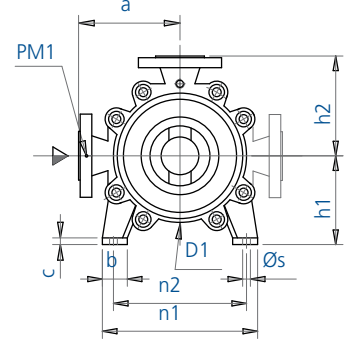
## OVERALL DIMENSIONS (G)



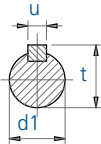
pump type 25 G ÷ 65 G



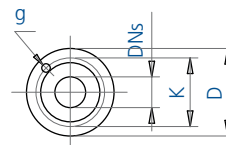
pump type 80 G ÷ 200 G



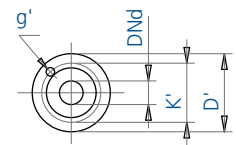
PUMP SHAFT SECTION



SUCTION FLANGE



DISCHARGE FLANGE



KEY ACCORDING TO UNI 6604

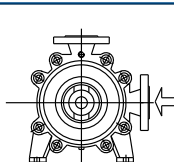
| PUMP DIMENSIONS (inches) |                |                |                |                |      |      |                |                |                |      |       |                |      | WEIGHT (lbs) |      | PUMP TYPE     | SUCTION FLANGE | DELIVERY FLANGE | FLANGES DRILLED ACCORDING TO ANSI B16.1 - B16.5 |                     |       |       |      |      | BEARING BRACKET DRAIN | CASING PUMP DRAIN | VACUUM GAUGE | PRESSURE GAUGE |  |                |                |       |       |       |
|--------------------------|----------------|----------------|----------------|----------------|------|------|----------------|----------------|----------------|------|-------|----------------|------|--------------|------|---------------|----------------|-----------------|---|---------------------|-------|-------|------|------|-----------------------|-------------------|--------------|----------------|--|----------------|----------------|-------|-------|-------|
| a                        | g <sub>1</sub> | h <sub>1</sub> | h <sub>2</sub> | g <sub>2</sub> | b    | c    | m <sub>3</sub> | n <sub>1</sub> | n <sub>2</sub> | s    | v     | d <sub>1</sub> | l    | t            | u    | 2 stages pump | +1 stage       |                 | DN <sub>s</sub> 150                             | DN <sub>d</sub> 300 | D     | D'    | b    | b'   | K                     | K <sub>1</sub>    | g            | g'             | n° holes n° fori DN <sub>s</sub> DN <sub>d</sub> | D <sub>2</sub> | D <sub>1</sub> | PM1   | PM2   |       |
| 6.30                     | 10.79          | 5.20           | 6.30           | 8.19           | 1.77 | 0.55 | 2.17           | 9.84           | 8.46           | 0.59 | 12.60 | 1.10           | 2.36 | 1.22         | 0.31 | 154           | 26             | 25 G            | 1 1/2"  | 1 1/4"              | 6.14  | 5.5   | 0.81 | 0.75 | 3.88                  | 3.88              | 0.62         | 0.75           | 4  | 4              | 3/8"G          | 1/4"G | 1/4"G | 1/4"G |
| 7.09                     | 10.55          | 6.30           | 7.09           | 8.11           | 1.77 | 0.55 | 2.17           | 11.02          | 9.65           | 0.59 | 12.80 | 1.10           | 2.36 | 1.22         | 0.31 | 187           | 35             | 32 G            | 2"  | 1 1/4"              | 6.5   | 5.5   | 0.71 | 0.75 | 4.75                  | 3.88              | 0.75         | 0.75           | 4  | 4              | 3/8"G          | 1/4"G | 1/4"G | 1/4"G |
| 7.09                     | 11.46          | 6.30           | 7.09           | 8.39           | 1.77 | 0.55 | 2.17           | 11.02          | 9.65           | 0.59 | 14.21 | 1.26           | 3.15 | 1.39         | 0.39 | 220           | 40             | 40 G            | 2 1/2"  | 1 1/2"              | 7.28  | 5.9   | 0.71 | 0.8  | 5.5                   | 4.5               | 0.75         | 0.88           | 4  | 4              | 3/8"G          | 1/4"G | 1/4"G | 1/4"G |
| 7.87                     | 11.69          | 6.30           | 7.87           | 8.62           | 1.77 | 0.55 | 2.17           | 11.02          | 9.65           | 0.59 | 14.88 | 1.26           | 3.15 | 1.39         | 0.39 | 276           | 49             | 50 G            | 3"  | 2"                  | 7.87  | 6.5   | 0.79 | 0.71 | 6                     | 5                 | 0.75         | 0.75           | 4  | 8              | 3/8"G          | 1/4"G | 1/4"G | 1/4"G |
| 9.45                     | 12.20          | 7.09           | 9.45           | 8.90           | 2.36 | 0.63 | 2.56           | 12.60          | 11.02          | 0.59 | 14.96 | 1.26           | 3.15 | 1.39         | 0.39 | 342           | 64             | 65 G            | 4"  | 2 1/2"              | 9     | 7.28  | 0.94 | 0.71 | 7.5                   | 5.88              | 0.75         | 0.88           | 8  | 8              | 3/8"G          | 1/4"G | 1/4"G | 1/4"G |
| 9.45                     | 12.20          | 7.09           | 9.45           | 8.90           | 2.36 | 0.63 | 2.56           | 12.60          | 11.02          | 0.59 | 10.63 | 1.26           | 3.15 | 1.39         | 0.39 | 287           | 66             | 80 G            | 4"  | 3"                  | 9     | 7.87  | 0.94 | 0.79 | 7.5                   | 6.62              | 0.75         | 0.88           | 8  | 8              | 3/8"G          | 1/4"G | 1/4"G | 1/4"G |
| 12.01                    | 14.21          | 8.46           | 12.01          | 9.96           | 3.15 | 0.87 | 3.15           | 16.73          | 13.78          | 0.87 | 12.24 | 1.57           | 4.33 | 1.70         | 0.47 | 441           | 99             | 100 G           | 5"  | 4"                  | 10    | 9.25  | 0.94 | 0.94 | 8.5                   | 7.88              | 0.88         | 0.88           | 8  | 8              | 3/8"G          | 3/8"G | 3/8"G | 3/8"G |
| 15.75                    | 16.54          | 12.40          | 15.75          | 12.76          | 4.13 | 0.98 | 4.92           | 22.05          | 17.91          | 0.98 | 13.58 | 1.77           | 4.33 | 1.92         | 0.55 | 1,135         | 231            | 125 G           | 6"  | 5"                  | 11.22 | 11    | 1    | 0.94 | 9.5                   | 9.25              | 0.88         | 0.88           | 8  | 8              | 3/8"G          | 1/2"G | 1/2"G | 1/2"G |
| 17.72                    | 19.29          | 14.76          | 17.72          | 15.24          | 5.51 | 1.18 | 5.91           | 27.56          | 22.05          | 1.30 | 15.55 | 1.97           | 4.33 | 2.14         | 0.63 | 1,764         | 342            | 150 G           | 8"  | 6"                  | 13.5  | 12.5  | 1.13 | 1    | 11.75                 | 10.62             | 0.88         | 0.88           | 8  | 12             | 3/8"G          | 3/8"G | 3/8"G | 3/8"G |
| 19.69                    | 22.83          | 16.34          | 19.69          | 17.09          | 5.91 | 1.38 | 6.50           | 29.53          | 24.41          | 1.54 | 18.90 | 2.36           | 5.51 | 2.54         | 0.71 | 220           | 441            | 200 G           | 10"   | 8"                  | 15.98 | 16.33 | 1.26 | 1.13 | 14.25                 | 13                | 1            | 1              | 12   | 12             | 3/8"G          | 3/8"G | 3/8"G | 3/8"G |

| NUMBER OF STAGES | PUMP TYPE |                |                |       |                |                |       |                |                |       |                |                |       |                |                |       |                |                |       |                |                |       |                |                |       |                |                |       |                |                |   |                |                |
|------------------|-----------|----------------|----------------|-------|----------------|----------------|-------|----------------|----------------|-------|----------------|----------------|-------|----------------|----------------|-------|----------------|----------------|-------|----------------|----------------|-------|----------------|----------------|-------|----------------|----------------|-------|----------------|----------------|---|----------------|----------------|
|                  | 25 G      |                |                | 32 G  |                |                | 40 G  |                |                | 50 G  |                |                | 65 G  |                |                | 80 G  |                |                | 100 G |                |                | 125 G |                |                | 150 G |                |                | 200 G |                |                |   |                |                |
|                  | f         | m <sub>1</sub> | m <sub>2</sub> | f     | m <sub>1</sub> | m <sub>2</sub> | f     | m <sub>1</sub> | m <sub>2</sub> | f     | m <sub>1</sub> | m <sub>2</sub> | f     | m <sub>1</sub> | m <sub>2</sub> | f     | m <sub>1</sub> | m <sub>2</sub> | f     | m <sub>1</sub> | m <sub>2</sub> | f     | m <sub>1</sub> | m <sub>2</sub> | f     | m <sub>1</sub> | m <sub>2</sub> | f     | m <sub>1</sub> | m <sub>2</sub> | f | m <sub>1</sub> | m <sub>2</sub> |
| 2                | 4.37      | 5.59           | 3.86           | 4.80  | 5.59           | 3.86           | 5.43  | 5.71           | 3.98           | 6.18  | 6.02           | 4.29           | 6.77  | 7.52           | 5.55           | 6.77  | 11.89          | 9.92           | 8.70  | 15.00          | 12.64          | 10.75 | 20.59          | 16.65          | 12.99 | 24.80          | 20.47          | 16.54 | 29.13          | 24.02          |   |                |                |
| 3                | 6.61      | 7.83           | 6.10           | 7.05  | 7.83           | 6.10           | 7.87  | 8.15           | 6.42           | 8.74  | 8.58           | 6.85           | 9.92  | 10.67          | 8.70           | 9.92  | 15.04          | 13.07          | 12.44 | 18.74          | 16.38          | 15.79 | 25.63          | 21.69          | 18.50 | 30.31          | 25.98          | 23.23 | 35.43          | 30.31          |   |                |                |
| 4                | 8.86      | 10.08          | 8.35           | 9.29  | 10.08          | 8.35           | 10.31 | 10.59          | 8.86           | 11.30 | 11.14          | 9.41           | 13.07 | 13.82          | 11.85          | 13.07 | 18.19          | 16.22          | 16.18 | 22.48          | 20.12          | 20.83 | 30.67          | 26.73          | 24.02 | 35.83          | 31.50          | 29.92 | 41.73          | 36.61          |   |                |                |
| 5                | 11.10     | 12.32          | 10.59          | 11.54 | 12.32          | 10.59          | 12.76 | 13.03          | 11.30          | 13.86 | 13.70          | 11.97          | 16.22 | 16.97          | 15.00          | 16.22 | 21.34          | 19.37          | 19.92 | 26.22          | 23.86          | 25.87 | 35.71          | 31.77          | 29.53 | 41.34          | 37.01          | 36.61 | 48.03          | 42.91          |   |                |                |
| 6                | 13.35     | 14.57          | 12.83          | 13.78 | 14.57          | 12.83          | 15.20 | 15.47          | 13.74          | 16.42 | 16.26          | 14.53          | 19.37 | 20.12          | 18.15          | 19.37 | 24.49          | 22.52          | 23.66 | 30.75          | 28.39          | 30.91 | 40.75          | 36.81          | 35.04 | 46.85          | 42.52          | 43.31 | 54.33          | 49.21          |   |                |                |
| 7                | 15.59     | 16.81          | 15.08          | 16.02 | 16.81          | 15.08          | 17.64 | 17.91          | 16.18          | 18.98 | 18.82          | 17.09          | 22.52 | 23.27          | 21.30          | 22.52 | 27.64          | 25.67          | 27.40 | 33.70          | 31.34          | 35.94 | 45.79          | 41.85          | 40.55 | 52.36          | 48.03          |       |                |                |   |                |                |
| 8                | 17.83     | 19.06          | 17.32          | 18.27 | 19.06          | 17.32          | 20.08 | 20.35          | 18.62          | 21.54 | 21.38          | 19.65          | 25.67 | 26.42          | 24.45          | 25.67 | 30.79          | 28.82          | 31.14 | 37.44          | 35.08          | 40.98 | 50.83          | 46.89          |       |                |                |       |                |                |   |                |                |
| 9                | 20.08     | 21.30          | 19.57          | 20.51 | 21.30          | 19.57          | 22.52 | 22.80          | 21.06          | 24.09 | 23.94          | 22.20          | 28.82 | 29.57          | 27.60          | 28.82 | 33.94          | 31.97          |       |                |                |       |                |                |       |                |                |       |                |                |   |                |                |
| 10               | 22.32     | 23.54          | 21.81          | 22.76 | 23.54          | 21.81          | 24.96 | 25.24          | 23.50          | 26.65 | 26.50          | 24.76          | 31.97 | 32.72          | 30.75          |       |                |                |       |                |                |       |                |                |       |                |                |       |                |                |   |                |                |
| 11               | 24.57     | 25.79          | 24.06          | 25.00 | 25.79          | 24.06          | 27.40 | 27.68          | 25.94          | 29.21 | 29.06          | 27.32          |       |                |                |       |                |                |       |                |                |       |                |                |       |                |                |       |                |                |   |                |                |
| 12               | 26.81     | 28.03          | 26.30          | 27.24 | 28.03          | 26.30          | 29.84 | 30.12          | 28.39          |       |                |                |       |                |                |       |                |                |       |                |                |       |                |                |       |                |                |       |                |                |   |                |                |
| 13               | 29.06     | 30.28          | 28.54          | 29.49 | 30.28          | 28.54          | 32.28 | 32.56          | 30.83          |       |                |                |       |                |                |       |                |                |       |                |                |       |                |                |       |                |                |       |                |                |   |                |                |
| 14               | 31.30     | 32.52          | 30.79          | 31.73 | 32.52          | 30.79          |       |                |                |       |                |                |       |                |                |       |                |                |       |                |                |       |                |                |       |                |                |       |                |                |   |                |                |
| 15               | 33.54     | 34.37          | 32.64          |       |                |                |       |                |                |       |                |                |       |                |                |       |                |                |       |                |                |       |                |                |       |                |                |       |                |                |   |                |                |

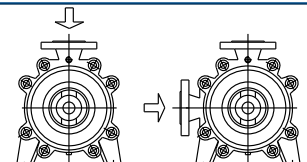
## SUCTION FLANGE POSITION

DRIVE END VIEW

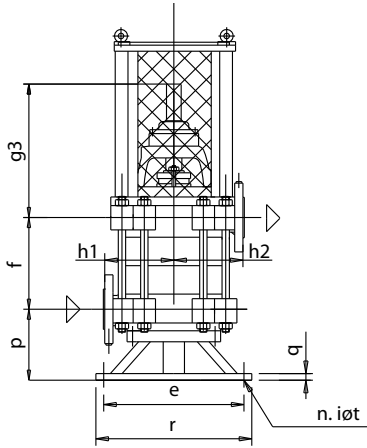
STANDARD



ON REQUEST

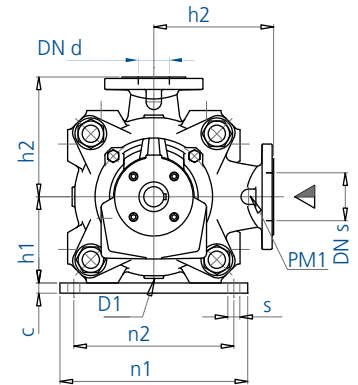
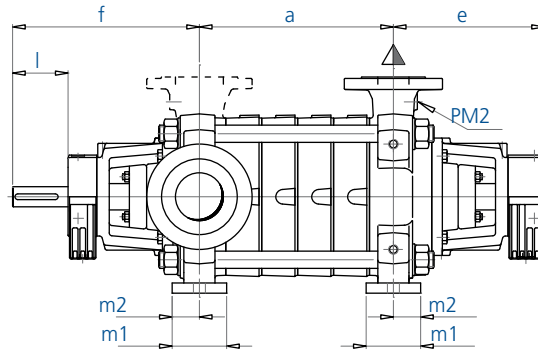
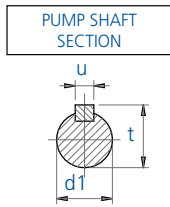


## OVERALL DIMENSIONS (GV)



| PUMP DIMENSIONS |       |       |             |             |      |      |           |
|-----------------|-------|-------|-------------|-------------|------|------|-----------|
| PUMP TYPE       | g3    | p     | r           | e           | i    | t    | q         |
| 25 GV           | 10.63 | 6.54  | 13.78       | 11.81       | 0.16 | 0.71 | 0.94      |
| 32 GV           | 10.55 | 6.30  | 13.78       | 11.81       | 0.16 | 0.71 | 0.94      |
| 40 GV           | 11.61 | 6.81  | 15.75       | 13.78       | 0.16 | 0.71 | 0.94      |
| 50 GV           | 11.85 | 7.05  | 15.75       | 13.78       | 0.16 | 0.71 | 0.94      |
| 65 GV           | 12.13 | 7.56  | 19.69       | 16.93       | 0.16 | 0.71 | 0.94      |
| 80 GV           | 12.13 | 7.56  | 15.75       | 13.78       | 0.16 | 0.71 | 0.94      |
| 100 GV          | 14.37 | 8.27  | 19.69       | 16.93       | 0.31 | 0.71 | 1.18      |
| 125 GV          | 17.28 | 9.45  | 21.65X21.65 | 17.72X17.72 | 0.16 | 0.71 | 3.35      |
| 200 GV          | 23.23 | 12.60 | 27.56X27.56 | 23.62X23.62 | 0.16 | 0.87 | 3.15+0.39 |

## OVERALL DIMENSIONS (GH)



### SUCTION FLANGE:

ANSI B16.1 CL125, ANSI B16.5 CL150

### DISCHARGE FLANGE:

ANSI B16.1 CL 250, ANSI B16.5 CL 300  
ANSI B16.5 CL 600 (option)

### SUCTION AND DELIVERY FLANGES VIEW



| PUMP TYPE | DNs   | DNd   | N° STAGES | a     | e     | f     | h1    | h2    | c    | m1    | m2   | n1    | n2    | s      | d1    | l      | t    | u    | d1    | PM1  | PM2  | WEIGHT (lbs) |
|-----------|-------|-------|-----------|-------|-------|-------|-------|-------|------|-------|------|-------|-------|--------|-------|--------|------|------|-------|------|------|--------------|
| 50        | 3.15  | 1.97  | 2         | 5.91  | 11.85 | 14.80 | 6.30  | 8.46  | 0.98 | 3.15  | 1.57 | 13.98 | 12.40 | 0.87 Ø | 1.50  | 3.15   | 1.61 | 0.39 | 1/2"  | 3/8" | 3/8" | 243          |
|           |       |       | 3         | 8.46  |       |       |       |       |      |       |      |       |       |        |       |        |      |      |       |      |      | 273          |
|           |       |       | 4         | 11.02 |       |       |       |       |      |       |      |       |       |        |       |        |      |      |       |      |      | 304          |
|           |       |       | 5         | 13.58 |       |       |       |       |      |       |      |       |       |        |       |        |      |      |       |      |      | 335          |
|           |       |       | 6         | 16.14 |       |       |       |       |      |       |      |       |       |        |       |        |      |      |       |      |      | 366          |
|           |       |       | 7         | 18.70 |       |       |       |       |      |       |      |       |       |        |       |        |      |      |       |      |      | 397          |
|           |       |       | 8         | 21.26 |       |       |       |       |      |       |      |       |       |        |       |        |      |      |       |      |      | 428          |
|           |       |       | 9         | 23.82 |       |       |       |       |      |       |      |       |       |        |       |        |      |      |       |      |      | 459          |
|           |       |       | 10        | 26.38 |       |       |       |       |      |       |      |       |       |        |       |        |      |      |       |      |      | 489          |
|           |       |       | 11        | 28.94 |       |       |       |       |      |       |      |       |       |        |       |        |      |      |       |      |      | 520          |
|           |       |       | 12        | 31.50 |       |       |       |       |      |       |      |       |       |        |       |        |      |      |       |      |      | 551          |
|           |       |       | 13        | 34.06 |       |       |       |       |      |       |      |       |       |        |       |        |      |      |       |      |      | 582          |
|           |       |       | 14        | 36.61 |       |       |       |       |      |       |      |       |       |        |       |        |      |      |       |      |      | 613          |
|           |       |       | 15        | 39.17 |       |       |       |       |      |       |      |       |       |        |       |        |      |      |       |      |      | 644          |
|           |       |       | 16        | 41.73 |       |       |       |       |      |       |      |       |       |        |       |        |      |      |       |      |      | 675          |
|           |       |       | 17        | 44.29 |       |       |       |       |      |       |      |       |       |        |       |        |      |      |       |      |      | 705          |
|           |       |       | 65        | 3.94  |       |       |       |       |      |       |      |       |       |        |       |        |      |      |       |      |      | 2.56         |
| 3         | 10.04 | 419   |           |       |       |       |       |       |      |       |      |       |       |        |       |        |      |      |       |      |      |              |
| 4         | 12.99 | 463   |           |       |       |       |       |       |      |       |      |       |       |        |       |        |      |      |       |      |      |              |
| 5         | 15.94 | 507   |           |       |       |       |       |       |      |       |      |       |       |        |       |        |      |      |       |      |      |              |
| 6         | 18.90 | 551   |           |       |       |       |       |       |      |       |      |       |       |        |       |        |      |      |       |      |      |              |
| 7         | 21.85 | 595   |           |       |       |       |       |       |      |       |      |       |       |        |       |        |      |      |       |      |      |              |
| 8         | 24.80 | 639   |           |       |       |       |       |       |      |       |      |       |       |        |       |        |      |      |       |      |      |              |
| 9         | 27.76 | 683   |           |       |       |       |       |       |      |       |      |       |       |        |       |        |      |      |       |      |      |              |
| 10        | 30.71 | 728   |           |       |       |       |       |       |      |       |      |       |       |        |       |        |      |      |       |      |      |              |
| 11        | 33.66 | 772   |           |       |       |       |       |       |      |       |      |       |       |        |       |        |      |      |       |      |      |              |
| 12        | 36.61 | 816   |           |       |       |       |       |       |      |       |      |       |       |        |       |        |      |      |       |      |      |              |
| 100       | 5.91  | 3.94  |           |       | 2     | 9.13  | 14.06 | 17.91 | 8.86 | 11.81 | 1.18 | 4.72  | 2.36  | 19.69  | 16.54 | 0.94 Ø | 1.89 | 4.33 | 20.28 | 0.55 | 3/4" |              |
|           |       |       | 3         | 12.76 | 500   |       |       |       |      |       |      |       |       |        |       |        |      |      |       |      |      |              |
|           |       |       | 4         | 16.38 | 571   |       |       |       |      |       |      |       |       |        |       |        |      |      |       |      |      |              |
|           |       |       | 5         | 20.00 | 642   |       |       |       |      |       |      |       |       |        |       |        |      |      |       |      |      |              |
|           |       |       | 6         | 23.62 | 712   |       |       |       |      |       |      |       |       |        |       |        |      |      |       |      |      |              |
|           |       |       | 7         | 27.24 | 783   |       |       |       |      |       |      |       |       |        |       |        |      |      |       |      |      |              |
|           |       |       | 8         | 30.87 | 853   |       |       |       |      |       |      |       |       |        |       |        |      |      |       |      |      |              |
|           |       |       | 9         | 34.49 | 924   |       |       |       |      |       |      |       |       |        |       |        |      |      |       |      |      |              |
|           |       |       | 150       | 7.87  | 5.91  | 2     |       |       |      |       |      |       |       |        |       |        |      |      |       |      |      | 12.01        |
| 3         | 16.54 | 710   |           |       |       |       |       |       |      |       |      |       |       |        |       |        |      |      |       |      |      |              |
| 4         | 21.06 | 825   |           |       |       |       |       |       |      |       |      |       |       |        |       |        |      |      |       |      |      |              |
| 5         | 25.59 | 939   |           |       |       |       |       |       |      |       |      |       |       |        |       |        |      |      |       |      |      |              |
| 6         | 30.12 | 1,054 |           |       |       |       |       |       |      |       |      |       |       |        |       |        |      |      |       |      |      |              |



Distributed in North America by:

**Global Pump Marketing**

North American Sales Headquarters

2810 Hampton Glen Ct. - Matthews, NC 28105

Phone: 704-845-0847 - Fax: 704-844-0137 - E-mail: rick@gmpumps.com

**Global Pump Marketing**

Distribution Center

6256 N. Telegraph Rd. - Dearborn Heights, MI 48127

Phone: 313-278-7867 - Fax: 313-278-6812 - E-mail: rick@gmpumps.com



**POMPE GARBARINO S.p.A.**

**Headquarters:**

Via Marengo, 44 - 15011 Acqui Terme (AL) - Italy - Tel. +39 0144.388671 - Fax +39 0144.55260

E-mail: info@pompegarbarino.it

**Milan Branch:**

Viale Andrea Doria, 31 - 20124 Milano - Italy - Tel. +39 02.67070037 - Fax +39 02.67070097

E-mail: info.filiale@pompegarbarino.it